

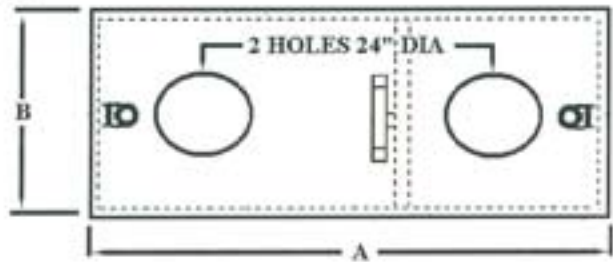
**Comal Concrete Products, Inc.**  
**4222 FM 482 NEW BRAUNFELS, TX 78132**  
**EMAIL:comalconcrete@comalconcrete.com**  
**830-608-1699 SA Metro: 830-606-4732 Fax: 830-608-1396**

**4000 GALLON**  
**SAND\_MUD\_OIL INTERCEPTOR**

8" TRAFFIC LID (STD)  
W/ 2 HOLES 24" DIA.

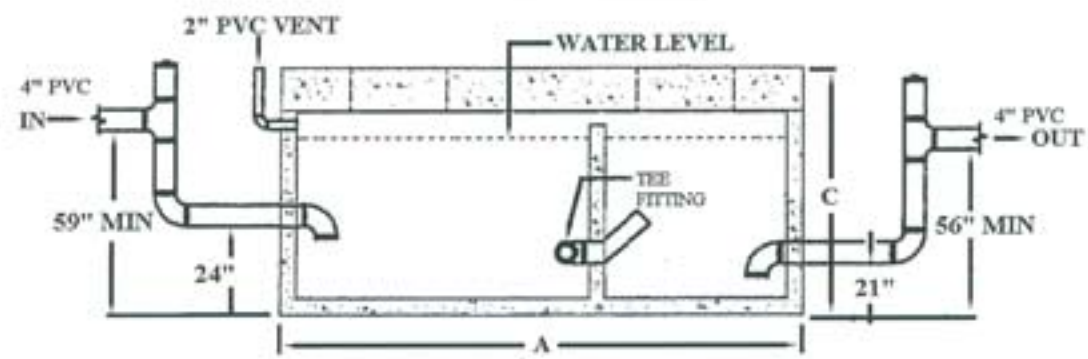
PLAN VIEW TOP

NOTE: DRAWING NOT TO SCALE

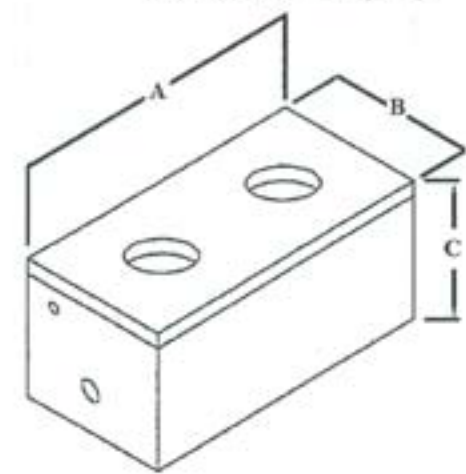


GALLON	DIM. A	DIM. B	DIM. C
4000	216	108	76

SECTION:ELEVATION



8" TRAFFIC LID (STD)



**SAN ANTONIO**  
LOW PROFILE INTERCEPTOR  
**CONCRETE:**  
4500 PSI CONFORMING TO ASTM C 150  
**STEEL REINFORCEMENT:**  
GRADE 60 CONFORMING TO ASTM A 615  
**SPECIFICATION:**  
AASHTO H20-44 8" TRAFFIC LID (STD)  
6" TO 8" DEPTH OF PEA GRAVEL BED  
RECOMMENDED BY MANUFACTURE

