

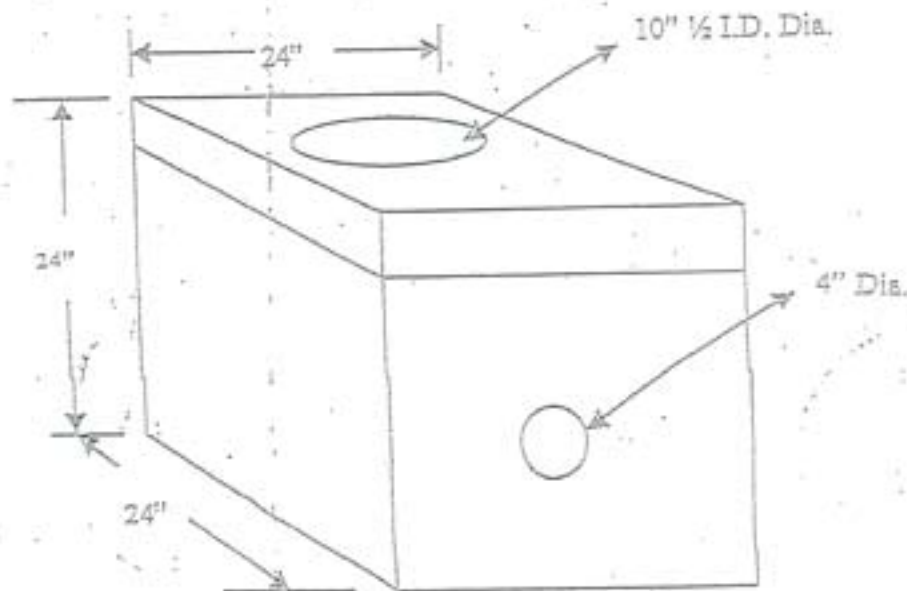
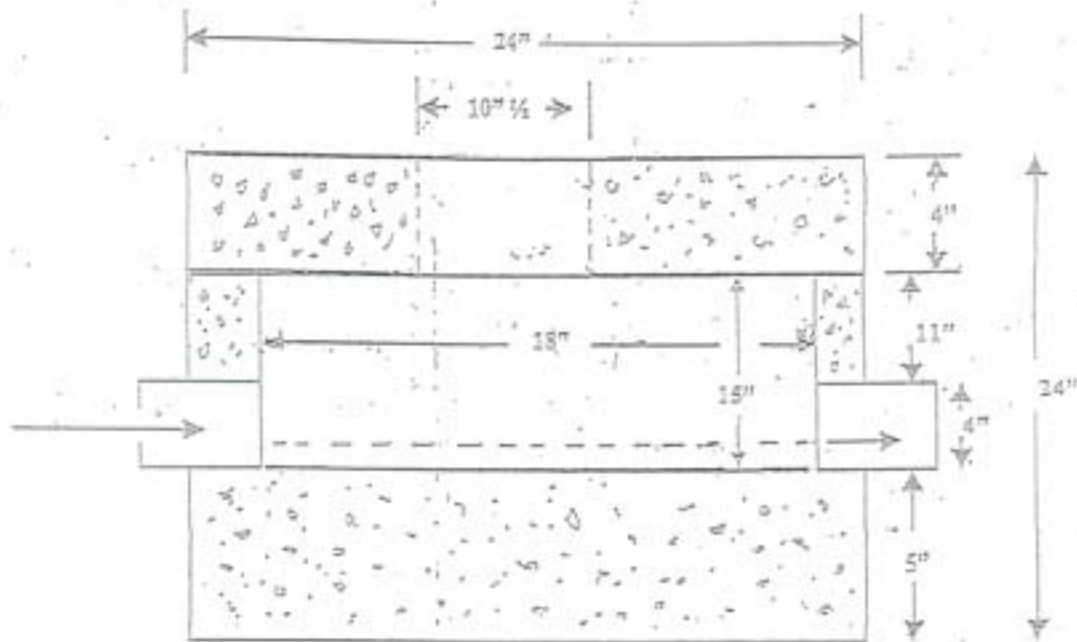
Comal Concrete Products, Inc.

4222 FM 482 New Braunfels, TX. 78132

E-mail: comalconcrete@comalconcrete.com

830-608-1699 S.A. Metro: 830-606-4732 Fax: 830-608-1396

SAMPLE WELL W/4'—18" ABS PIPE & 103, 18" RING & COVER



NOTE
CONCRETE: 4500 PSI

REINF: GRADE 60

NOTE: Not to scale