



Comal Concrete Products, Inc.

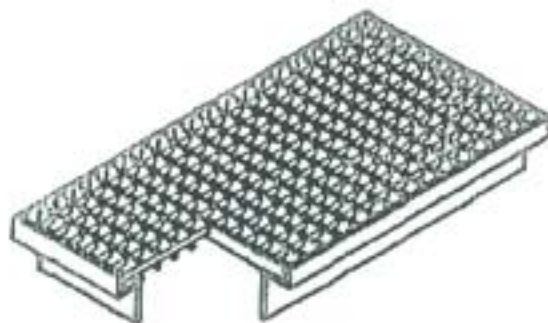
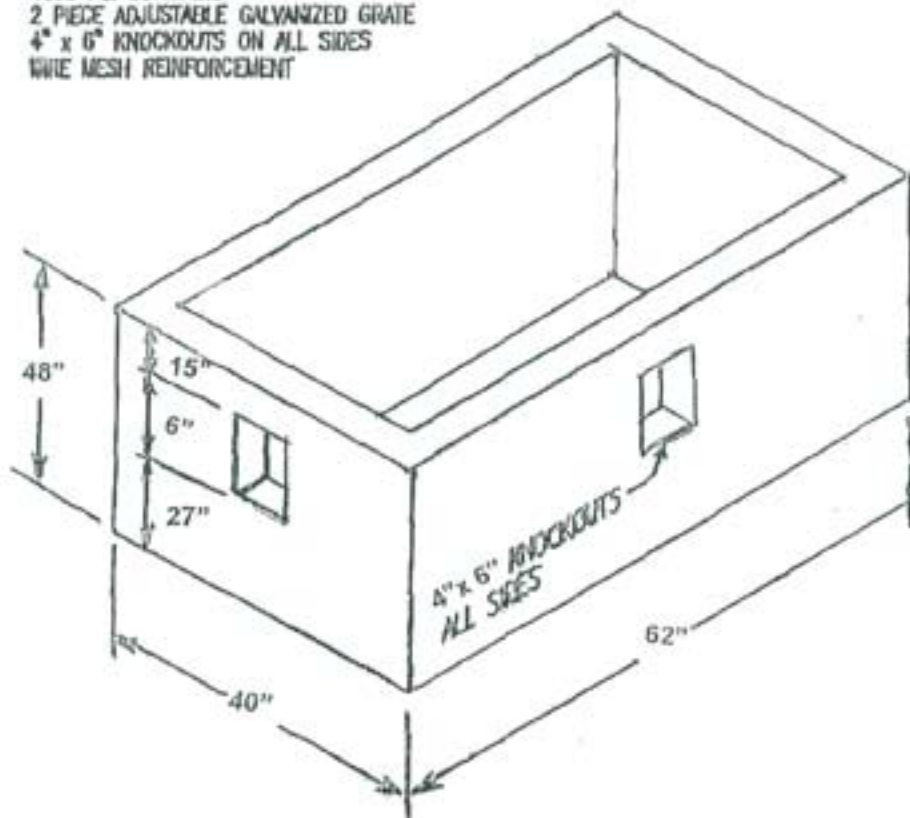
4222 FM 482, New Braunfels, TX 78132
830-608-1699 FAX: 830-608-1396

CAR WASH BAY SUMP PIT

SPECIAL ORDER ONLY

STANDARD FEATURES

- 3" FLOOR 4" WALLS
- 4500 PSI CONCRETE
- 2 PIECE ADJUSTABLE GALVANIZED GRATE
- 4" x 6" KNOCKOUTS ON ALL SIDES
- WIRE MESH REINFORCEMENT



GRATE SIDE VIEW

NOTES:
2 PIECE GRATE FITS INTO 1 PIECE FRAME WITH
3" SIGHT FOR ADJUSTMENT TO ALIGN WITH SLAB
STEEL.

GRATES AVAILABLE TRAFFIC OR NON-TRAFFIC
RATINGS

DIMENSIONS:

FRAME I.D.	GRATE
33-1/2" W	35-1/4" W
57-1/2" L	20-1/2" L
2-3/4" H	2-1/2" H