

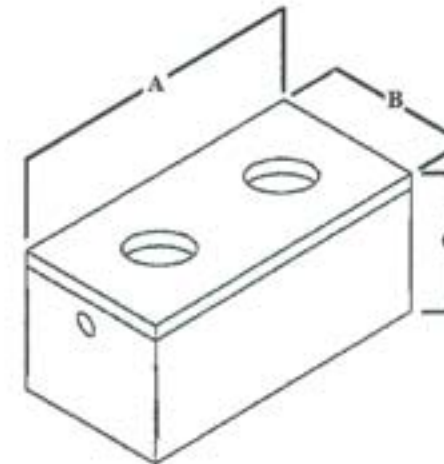
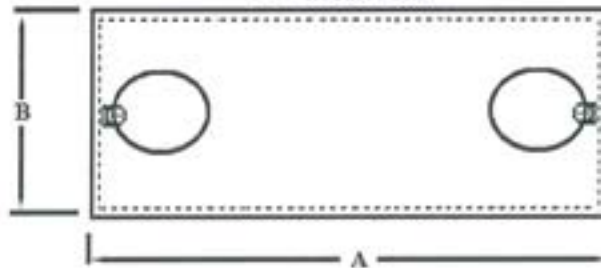
**Comal Concrete Products, Inc.**  
**4222 FM 482 NEW BRAUNFELS, TX 78132**  
**EMAIL: [comalconcrete@comalconcrete.com](mailto:comalconcrete@comalconcrete.com)**  
**830-608-1699 SA Metro: 830-606-4732 Fax: 830-608-1396**

**500 GALLON TO  
 2000 GALLON  
SEPTIC TANKS**

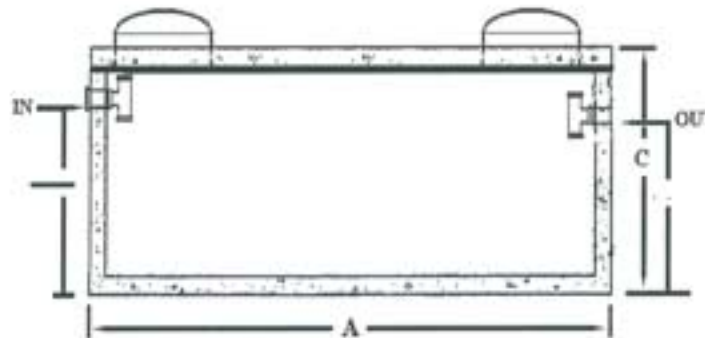
NON TRAFFIC

PLAN VIEW TOP  
 2 - 24" ACCESS PORTS

NOTE: DRAWING NOT TO SCALE



SECTION: ELEVATION



**SEPTIC TANK**

DESIGN CONFORMS TO: ASTM C 1227

**CONCRETE:**

4500 PSI CONFORMING TO ASTM C 150

**STEEL REINFORCEMENT:**

GRADE 60 CONFORMING TO ASTM A 615

**BEDDING SPECIFICATION:**

6" TO 8" DEPTH OF PEA GRAVEL BED

RECOMMENDED BY MANUFACTURER

GALLON CAP	DIM. A	DIM. B	DIM. C	FLOW -IN	FLOW -OUT	COMPARTMENTS
500	68	68	54	45	42	SINGLE
750	100	65	52	43	40	SINGLE
1000	103	79	52	43	40	SINGLE
1250	129	80	52	43	40	SINGLE
1500	151	83	50	40	37	SINGLE
2000	176	74	60	50	47	SINGLE