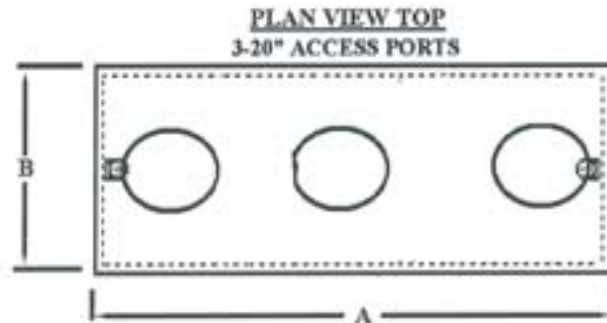


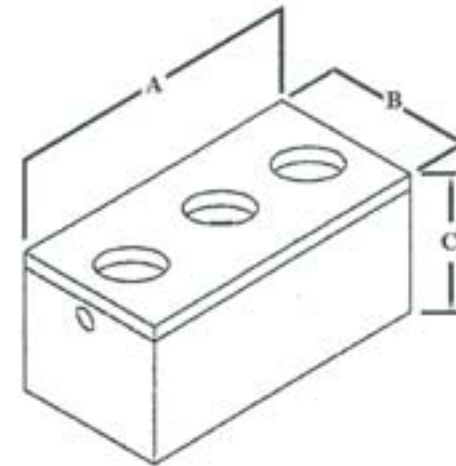
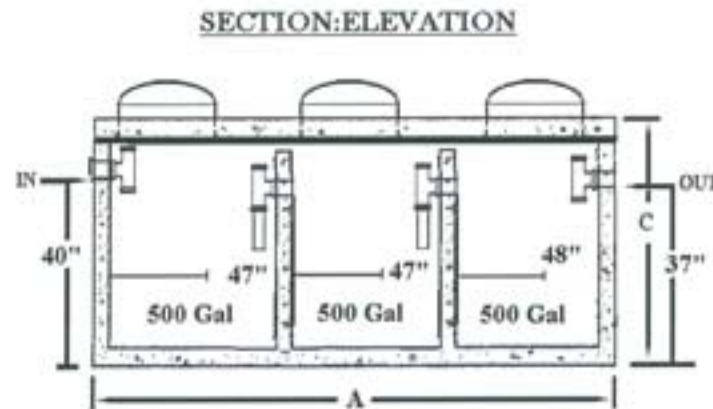
Comal Concrete Products, Inc.
4222 FM 482 NEW BRAUNFELS, TX 78132
EMAIL:comalconcrete@comalconcrete.com
830-608-1699 SA Metro: 830-606-4732 Fax: 830-608-1396

1500 GALLON
THREE COMPARTMENT SEPTIC

NOTE: DRAWING NOT TO SCALE



| GALLON | DIM. A | DIM. B | DIM. C |
|--------|--------|--------|--------|
| 1500 | 151 | 83 | 50 |



SEPTIC TANK

DESIGN CONFORMS TO: ASTM C 1227

CONCRETE:

4500 PSI CONFORMING TO ASTM C 150

STEEL REINFORCEMENT:

GRADE 60 CONFORMING TO ASTM A 615

BEDDING SPECIFICATION:

6" TO 8" DEPTH OF PEA GRAVEL BED

RECOMMENDED BY MANUFACTURER

